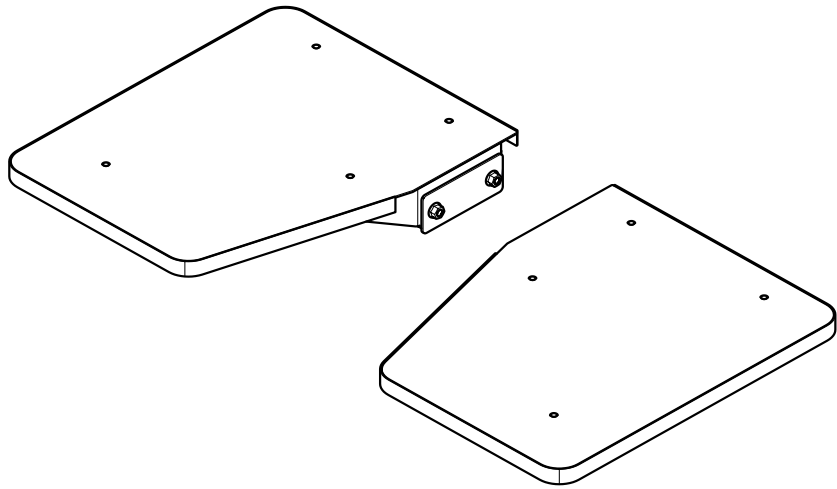


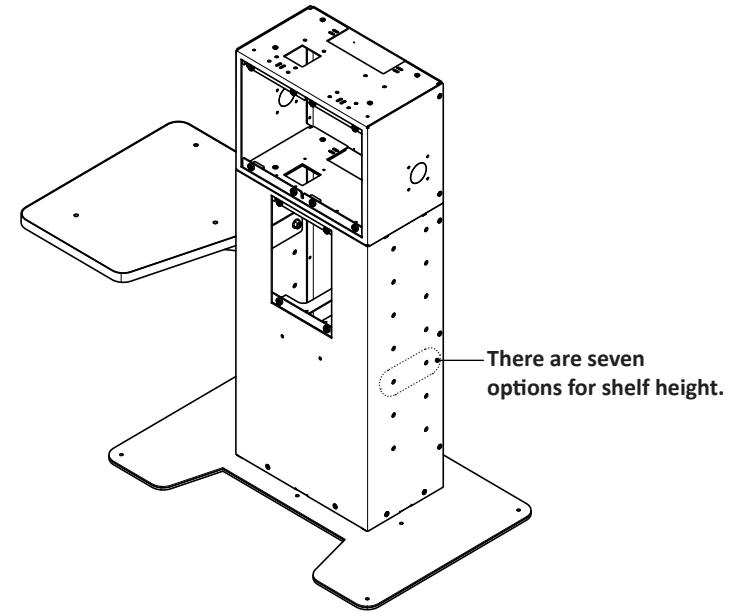
Installation Guide

SPSK510 + SPSK511

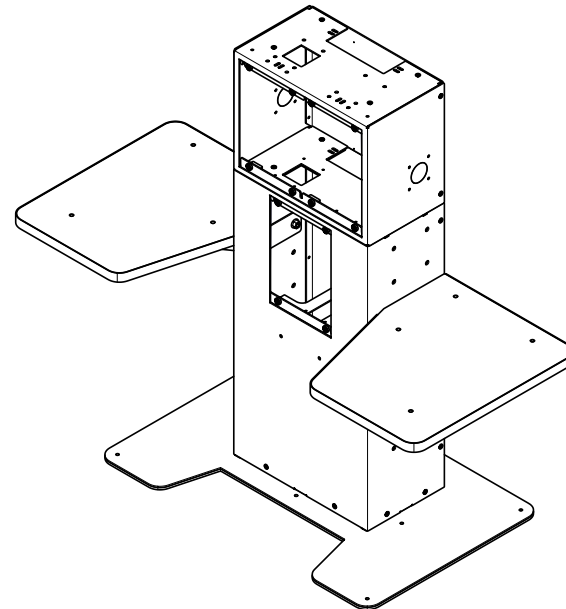
SCO Kiosk right and left shelves



Shelf mounting options



Kiosk with two shelves



CAUTION

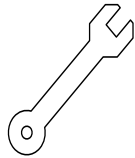
This product is intended for indoor use only.

If these installation instructions are not followed correctly, it could lead to product failure and potential personal injury.

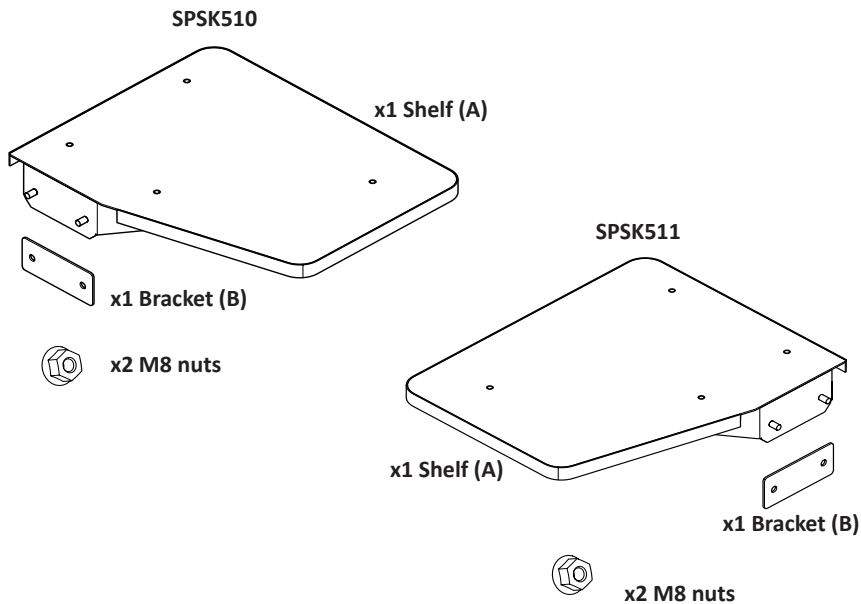
Ergonomic Solutions/SpacePole cannot be held responsible for any failure or injury, if the installation instructions are not followed correctly.

Max weight on each shelf: 30 kg.

Tool list



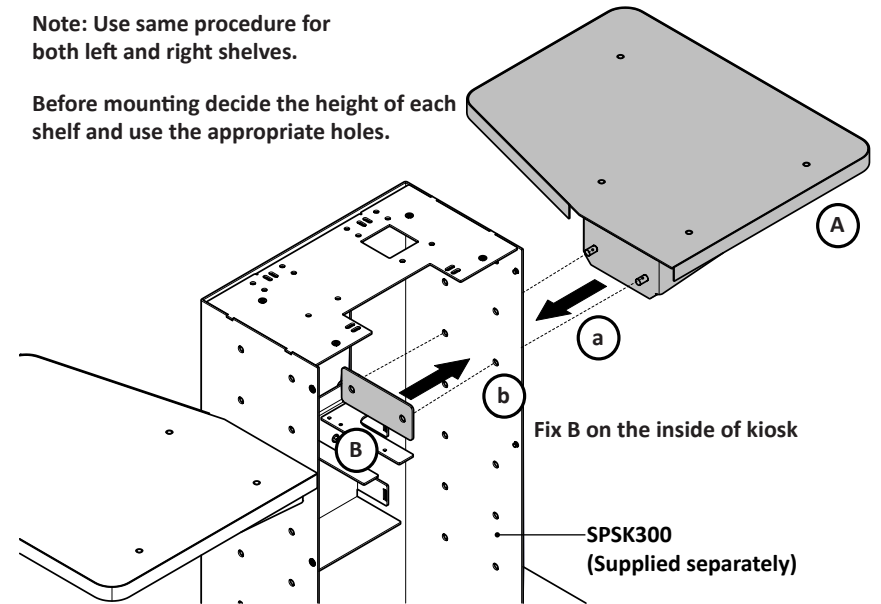
Box content



1 Mount shelf on floorstand

Note: Use same procedure for both left and right shelves.

Before mounting decide the height of each shelf and use the appropriate holes.



2 Secure shelf with nuts

Note: Use same procedure for both left and right shelves.

